



INSTALLATION, OPERATION & MAINTENANCE INSTRUCTIONS

1455 Kleppe Lane ♦ Sparks, NV 89431-6467 ♦ (775) 359-4712 ♦ Fax (775) 359-7424
E-mail: haws@hawsco.com ♦ website: www.hawsco.com

No. 0510000807(1)

Model 7603TH/7603T240H Hazardous Location Portable Eyewash with Heater

NOTE TO INSTALLER: Please leave this information with the Maintenance Department.

LIMITED WARRANTY

HAWS warrants that this specific product is guaranteed against defective material or poor workmanship for a period of **one year from date of shipment**. HAWS liability under this warranty shall be discharged by furnishing without charge F.O.B. HAWS Factory any goods, or part thereof, which shall appear to the Company upon inspection to be of defective material or not of first class workmanship, provided that claim is made in writing to Haws within a reasonable period after receipt of the product. Where claims for defects are made, the defective part or parts shall be delivered to the Company, prepaid, for inspection. HAWS will not be liable for the cost of repairs, alterations or replacements, or for any expense connected therewith made by the owner or his agents, except upon written authority from HAWS, Sparks, Nevada. HAWS will not be liable for any damages caused by defective materials or poor workmanship, except for replacements, as provided above. Buyer agrees that Haws has made no other warranties either expressed or implied in addition to those above stated, except that of title with respect to any of the products or equipment sold hereunder and that HAWS shall not be liable for general, special, or consequential damages claimed to arise under the contract of sale.

The emergency equipment manufactured by HAWS is warranted to function if installation and maintenance instructions provided are adhered to. The units also must be used for the purpose for which they were intended. This product is intended to supplement first-aid treatment. Due to widely varying conditions, Haws cannot guarantee that the use of this emergency equipment will prevent serious injury or the aggravation of existing or prior injuries.

NO OTHER WARRANTIES EXPRESSED OR IMPLIED ARE AUTHORIZED, PROVIDED OR GIVEN BY HAWS.

SHOULD YOU EXPERIENCE DIFFICULTY WITH THE INSTALLATION OF THIS MODEL PLEASE CALL:

TECHNICAL SUPPORT: 1-800-766-5612

FOR CUSTOMER SERVICE: 1-888-640-4297

CAUTION: A GROUND FAULT DEVICE MUST BE USED WITH THIS HEATING DEVICE.

ATTENTION: CE PRODUIT DOIT ÊTRE UTILISÉ AVEC UNE PROTECTION DE MISE À LA TERRE.

RECOMMENDED TOOLS: Assorted tools as needed for installing power cord.

LOCATION OF UNIT: The Model 7603TH/7603T240H eyewash units should be placed in close proximity to potential accident areas. It should be clearly identified, free from obstructions and easily accessible. **IMPORTANT: Models 7603TH/7603T240H shall not have internal temperatures exceeding 38°C (100°F) and shall not be exposed to ambient temperatures exceeding 38°C (100°F). Be careful of direct sunlight.** Models 7603TH/7603T240H are suitable for use in Class 1, Division 2 Group B, C, & D, temperature rating T6 (85°C) and Class 2, Division 2 Group F, G, NEMA/TYPE 4 areas.

WARNING: Use only the handles and the tank skirt when lifting or moving this unit; doing otherwise may damage the unit.

ELECTRICAL CONNECTIONS: (reference manual supplied with heating blanket)

Models 7603TH – 120VAC, 60 Hz, 1.38A. Must be protected by a Class A Ground Fault Circuit Interrupter (GFCI) – No power cord is supplied – Units are suitable for installation and use in Class 1, Division 2, Group B, C, D, T6, Class 2, Division 2, Group F, G, NEMA/TYPE 4 areas and **MUST BE INSTALLED IN COMPLIANCE WITH LOCAL, STATE AND/OR FEDERAL CODES USING FLEXIBLE CONDUIT OR CABLE RATED FOR CLASS I, II, DIVISION 2 – NO RIGID CONNECTION PERMITTED. DURING POTENTIAL FREEZING PERIODS INSURE THAT UNIT IS CONNECTED TO A CONTINUOUS POWER SUPPLY.**

Model 7603T240H – 240VAC, 50/60 Hz, 0.64A. Must be protected by a Class A Ground Fault Circuit Interrupter (GFCI) – No power cord is supplied – Units are suitable for installation and use in Class 1, Division 2, Group B, C, D, T6, Class 2, Division 2, Group F, G, NEMA/TYPE 4 areas and **MUST BE INSTALLED IN COMPLIANCE WITH LOCAL, STATE AND/OR FEDERAL CODES USING FLEXIBLE CONDUIT OR CABLE RATED FOR CLASS I, II, DIVISION 2 – NO RIGID CONNECTION PERMITTED. DURING POTENTIAL FREEZING PERIODS INSURE THAT UNIT IS CONNECTED TO A CONTINUOUS POWER SUPPLY.**

NOTICE: Under ideal conditions, Model 7603 eyewash tank should last for 1600 cycles or 30 years, whichever comes first. Due to differing environments and end user conditions, caution should be observed and the product should be regularly monitored for wear, corrosion, and/or rough service, which can shorten the life of the product. The product should be removed from service if any wear or detrimental service issues occur and should, at minimum, be inspected annually.

AMBIENT TEMPERATURE RATING:
-20°F (-29°C) TO 100°F (38°C)

INSTALLATION INSTRUCTIONS

STEP 1: Install the blanket and connect to power source per the Installation Manual provided with the heating blanket. Make sure eyewash tank is sitting on the plastic spacers on bottom of the blanket and not crushing the heat trace cable.

CAUTION – DO NOT ENGERIZE THE HEATING BLANKET POWER SOURCE UNTIL THE EYEWASH IS FILLED WITH FLUSHING FLUID (UP TO FILL LINE).

NOTICE: 7603TH/ 7603T240H REQUIRES MINIMUM NEMA/TYPE 4 COMPLIANT EQUIPMENT. ALL POWER CONNECTIONS MUST BE MADE ACCORDING TO NEC/ CEC CODE USING FLEXIBLE CONDUIT OR CABLE RATED FOR CLASS I, II, DIVISION 2 – NO RIGID CONNECTION PERMITTED. MODEL THE CORD AND FITTINGS SELECTED MUST HAVE THE APPROPRIATE HAZARDOUS LOCATION RATING REQUIRED FOR THE INSTALLATION LOCATION.

STEP 2: Use potable water to flush and drain the tank.

STEP 3: Apply a small bead of Dow Corning 832 sealant around the threaded end of the dip tube, approximately at the second thread from the end of the tube. Thread and hand-tighten the dip tube into the bottom of the eyewash plumbing.

STEP 4: Fill the tank with 10 gallons of clean, potable water (note fill line on label or blanket). If desired add Sterile Antimicrobial Preservative Model 9082 as directed (see Step 3 under Maintenance section).

STEP 5: Place the eyewash plumbing onto the tank opening, with the gasket sandwiched between the two.

STEP 6: Install the clamp to secure and seal the bottom of the eyewash plumbing to the tank opening. **Tighten clamp bolts to 10 ft. lb. of torque.** Tighten each bolt incrementally until both sides are tightened appropriately. Insert cotter pins into holes in clamp bolts. **NOTE:** If the optional Haws Model 8901B was purchased for this unit, remove the plug from the back of the 7603's eyewash plumbing and install drench hose now. Seal this connection with pipe joint sealant PST #567 (Loctite) (not supplied).

STEP 7: Charge the tank with clean compressed air to 75 PSI through the tire-type air valve.

STEP 8: Energize power source and verify operation of heating blanket. (Refer to Operation Manual supplied with the heating blanket)

STEP 9: Attach the supplied inspection tag to a convenient location on the tank. The unit is ready for operation.

IMPORTANT SAFETY NOTICE

THE NATIONAL ELECTRICAL CODE REQUIRES GROUND-FAULT EQUIPMENT PROTECTION ON EACH HEATING CABLE BRANCH CIRCUIT. TO REDUCE THE RISK OF FIRE CAUSED BY DAMAGE OR IMPROPER INSTALLATION, CIRCUIT BREAKERS SUCH AS SQUARE D QO-EPD AND QOB-EPD OR EQUIVALENT, WITH A 30mA TRIP LEVEL, SHOULD BE USED. PLEASE SUBSTITUTE THESE BREAKERS WHEREVER REFERENCE IS MADE TO CONVENTIONAL BREAKERS IN THIS DOCUMENT. ALTERNATIVE DESIGNS PROVIDING COMPARABLE LEVELS OF GROUND-FAULT PROTECTION MAY ALSO BE ACCEPTABLE.

OPERATION INSTRUCTIONS

Self-adjusting flow controls assure a constant flow at or above .4 gpm, for at least 15 minutes. Instruct all employees in the use of this Portable Emergency Eyewash. Personnel should be assigned to check eyewash liquid level and pressure before any work starts.

- STEP 1:** Lead the injured person to the nearest eyewash station. Seconds can make a big difference in preventing serious eye injury.
- STEP 2:** Push the flag to activate the eyewash.
IMPORTANT: Do not use the optional drench hose simultaneously with the eyewash. This will exhaust the water supply too quickly for thorough eye irrigation.
- STEP 3:** Lower head until eyes enter the eyewash stream. Use thumbs and forefingers to hold eyelids open so water can flow on surfaces and in folds surrounding eyeballs.
- STEP 4:** Seek qualified medical attention immediately.

CAUTION – MODELS 7603TH/7603T240H NEED TO BE FULLY DRAINED ONCE ACTIVATED. ALL WATER MUST BE REMOVED ABOVE THE BALL VALVE AND EYEWASH/DRENCH HOSE DRAINED. THE HEATED BLANKET WILL NOT PREVENT WATER ABOVE THE BALL VALVE FROM FREEZING.

MAINTENANCE

IMPORTANT: BLEED ALL PRESSURE FROM UNIT BEFORE REMOVING CLAMP BOLTS.

Bleed pressure from the tank by pulling the metal ring on the relief valve. Keep hands and face away from the relief valve as it discharges, and wear hearing protection.

– OR –

Activate eyewash and allow unit to drain normally. Note that air will continue to escape after the water supply has been exhausted.

NOTE: Customer must use the supplied inspection tag to maintain a record of inspection dates and type of maintenance performed (e.g. adding Sterile Antimicrobial Preservative Model 9082, cleaning tank).

STEP 1: When the unit is filled with 10 gallons of water, it weighs approximately 123 lbs. Use good judgment to check the water level. See Step 4 for additional information regarding units that have been activated.

STEP 2: Self-contained eyewash equipment shall be visually checked to determine if flushing fluid needs to be changed or supplemented. See Step 4 for additional information regarding units that have been activated.

STEP 3: Take proper precautions to help prevent the growth of bacteria in the eyewash tank. We recommend either of the following procedures:

NOTE: Disconnect Model 7603TH/7603T240H from power source before performing maintenance.

Procedure A: Use a suitable sterile antimicrobial preservative, such as Haws Model 9082, to help prevent the growth of bacteria in eyewash tank. The tank should be drained, flushed and refilled with potable water and Sterile Antimicrobial Preservative Model 9082 as directed by the preservative's manufacture

Procedure B: Drain, flush and refill tank with potable water at least once every week. Thoroughly cleanse tank at least once every month.

NOTE: Acanthamoeba survive mild chlorination and are commonly found in tap water. Sterile Antimicrobial Preservative Model 9082 will prevent the growth of Acanthamoeba. Hot water, 158°F (70°C) or hotter will destroy Acanthamoeba but must be allowed to cool prior to use in eyewash units.

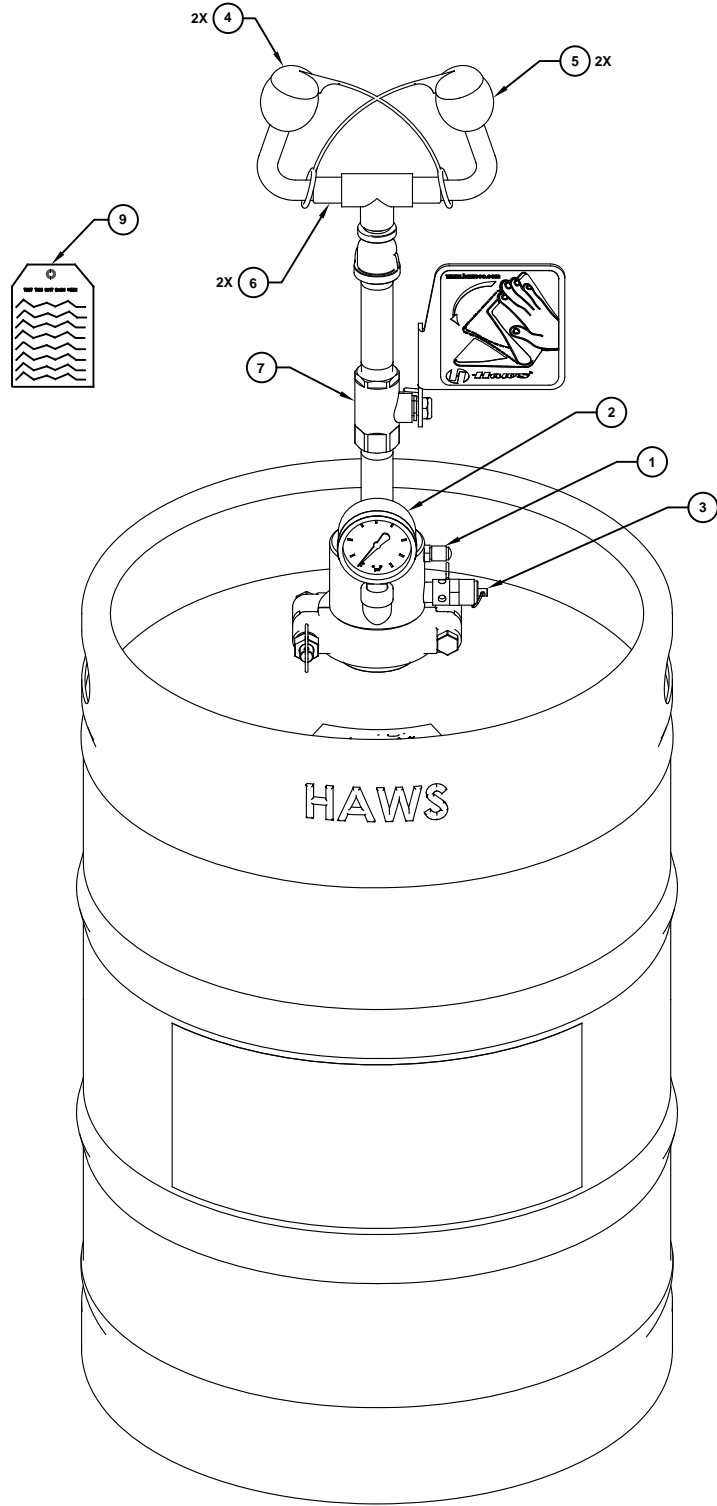
STEP 4: If tank pressure drops below 70 psi, ensure the following steps are implemented:

- A. Ensure that the tank is filled with 10 gallons of clean, potable water.
- B. Recharge with clean air to 75 psi, if applicable. **Regulate compressed air source to 165 psi or less.**
- C. Follow Procedure A or Procedure B of Step 3 above to ensure that water quality is maintained.

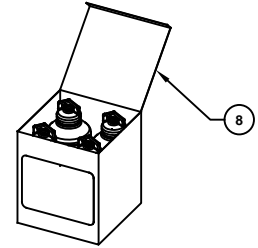
TROUBLESHOOTING	
PROBLEM	REPAIR CHECKLIST
1. No flow.	1. a. Tank empty. Refill tank. b. Obstruction in line or fitting. Clear obstruction.
2. Poor flow from eyewash head(s).	2. a. Tighten head assembly. b. Check for obstructions. If necessary, remove eyewash head(s) and clean flow control.
3. Eyewash flows for less than 15 minutes.	3. a. Fill tank with 10 gallons of water. b. Fill tank with pressurized air to 75psi.
4. Heater doesn't turn on.	7. a. No power. b. Check GFCI and/or circuit breaker. c. If ambient temperature is high and doesn't allow the water temperature to drop below 67°F (19°C) the heater may not switch on. Heater settings are: Non-adjustable thermostat preset to switch on at 67°± 5°F (17°± 3°C) and switch off 77°± 5°F (25°± 3°C). Test the thermostat and heater function by applying ice in a circular motion to thermostat location. Apply ice to this location for approximately 3-5 minutes. The heat trace cable should become warm to the touch when operating properly. Thermostat is located on junction box.

For more information about Haws products, see our website: www.hawSCO.com

ITEM	DESCRIPTION	PART NO.
1	VALVE, AIR	0006522676
2	GAUGE, PRESSURE	0002580702.5
3	VALVE, RELIEF	0110000459
4	COVER, POP-OFF	9094
5	HEAD, EYEWASH	SP12
6	FLOW CONTROL	0012506950
7	VALVE	SP238
8	STERILE ANTIMICROBIAL PRESERVATIVE	9082
9	INSPECTION TAG	0510000504
10	BLANKET	*SEE TABLE

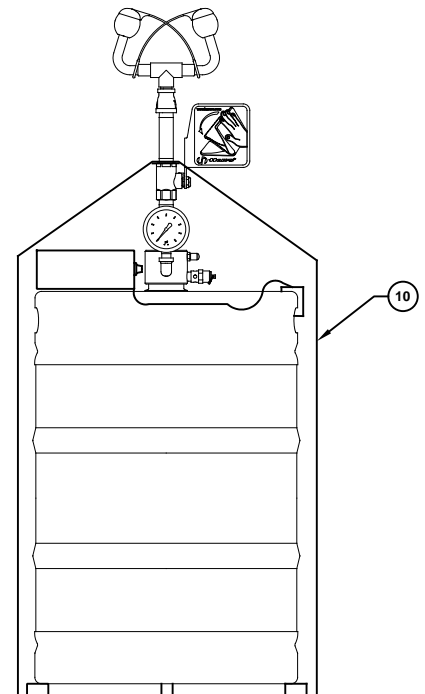


MODEL 7603



(NOT SUPPLIED; MUST BE ORDERED SEPARATELY)

MODELS 7603TH / 7603T240H



(7603TH SHOWN)

MODEL	BLANKET P/N
7603TH	7603BLH
7603T240H	7603BL240H

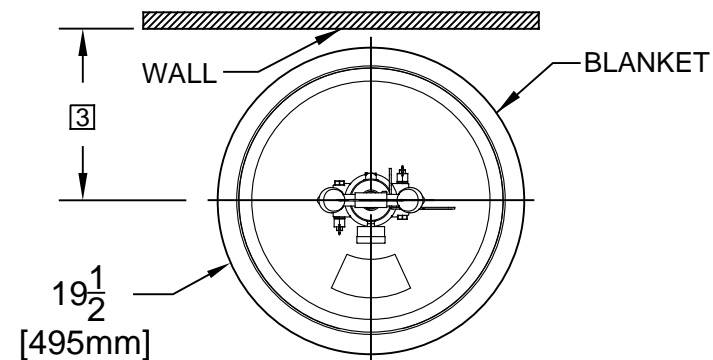
PARTS BREAKDOWN

WHEN ORDERING PARTS PLEASE SPECIFY MODEL NUMBER.

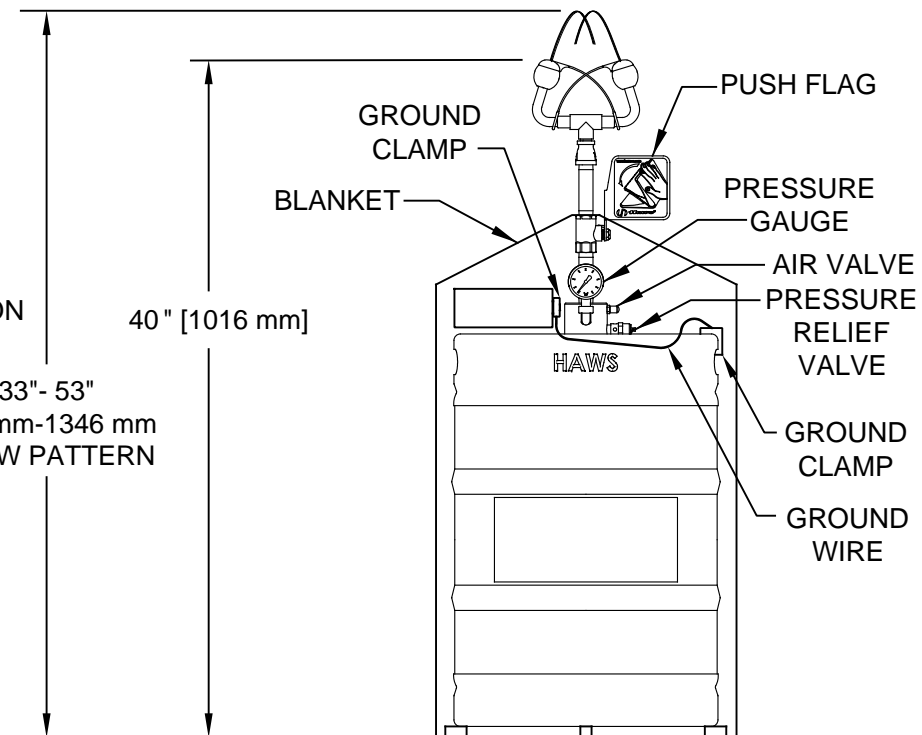
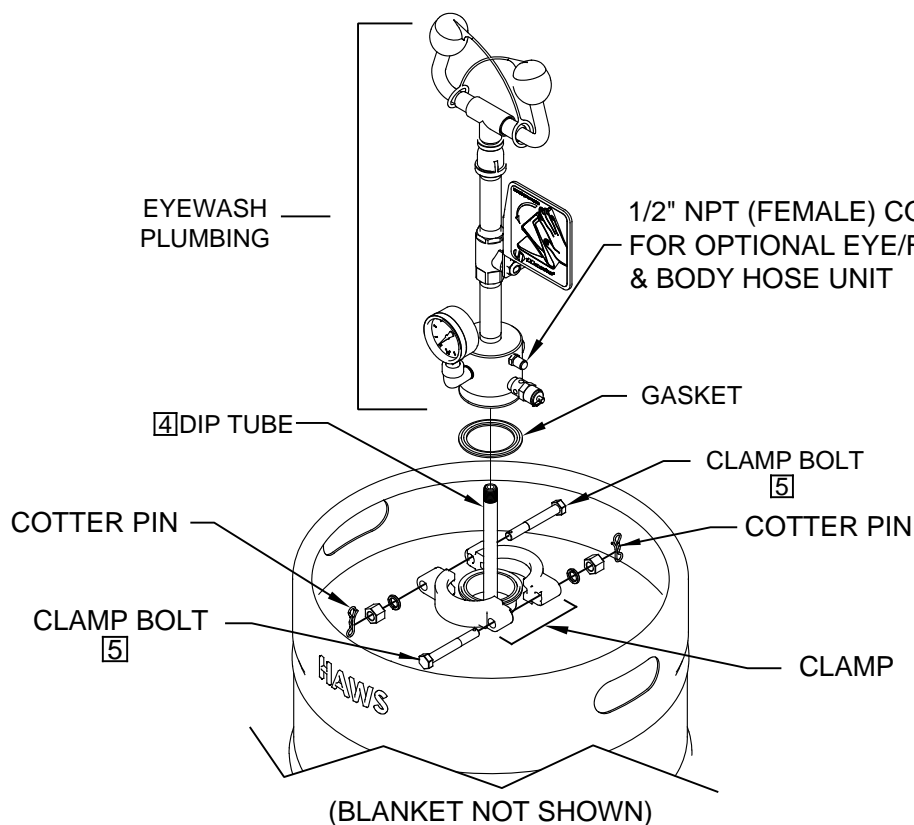
		1455 KLEPPE LANE SPARKS, NEVADA 89431 (775) 359-4712 FAX (775) 359-7424 E-MAIL: HAWS@HAWSCO.COM WEBSITE: WWW.HAWSCO.COM	
MODEL(S) 7603TH / 7603T240H SAFETY KEG EYEWASH			
PART NUMBER 0510000807 REVISION 1		SCALE: 1:1 DRAWING TYPE: PARTS BREAKDOWN SIZE: A SHEET 1 OF 1	

NOTES:

1. TO COMPLY WITH ANSI/ISEA Z358.1-2014 FOR EMERGENCY EYEWASH OR EYEWASH: EYEWASH OR EYE/FACE WASH SHALL BE POSITIONED SUCH THAT FLUSHING FLUID PATTERN IS NOT LESS THAN 33" (838mm) AND NO GREATER THAN 53" (1346 mm) FROM SURFACE ON WHICH USER STANDS; AND 6.0" (153mm) MINIMUM FROM WALL OR NEAREST OBSTRUCTION.
2. DIMENSIONS MAY VARY BY ±1/2" [12.7mm].
- 3 EYEWASH HEAD ASSEMBLY MUST BE PARALLEL TO WALL OR OBSTRUCTION TO MEET CRITERIA STATED IN ACCORDANCE TO NOTE 1.
- 4 USE DOW CORNING 832 SEALANT ON DIP TUBE THREADS; HAND TIGHTEN.
- 5 TIGHTEN CLAMP BOLTS TO 10 FT. LB. OF TORQUE.
6. FILL WITH 10 GALLONS OF CLEAN POTABLE WATER (NOTE FILL LINE ON MAIN LABEL)
7. PRESSURIZE TO 75 PSI. REFILL IF PRESSURE IS LESS THAN 70 PSI.
8. INSTALL GROUNDING CLAMPS AND WIRE BETWEEN TANK AND JUNCTION BOX.
9. WHEN INSTALLING THIS UNIT, LOCAL, STATE, OR FEDERAL CODES SHOULD BE ADHERED TO FOR INSTALLATION DIMENSIONS (LOCATIONS), WASTE AND SUPPLY REQUIREMENTS OTHER THAN SHOWN.
10. MUST BE FILLED WITH WATER BEFORE CONNECTING BLANKET TO POWER SOURCE.
11. ALL MODELS MUST HAVE A GROUND FAULT PROTECTION DEVICE (30mA GFCI) FOR HEAT TRACE. ELECTRICAL CURRENTS MAY BE INSUFFICIENT TO TRIP A CONVENTIONAL CIRCUIT BREAKER. ALL INSTALLATIONS MUST BE INSTALLED IN COMPLIANCE WITH LOCAL, STATE, AND/OR FEDERAL CODES.
12. ALL POWER CONNECTIONS MUST BE MADE ACCORDING TO NEC/ CEC CODE USING FLEXIBLE CONDUIT OR CABLE RATED FOR CLASS I, II, DIVISION 2 – NO RIGID CONNECTION PERMITTED. MODEL 7603TH/ 7603T240H REQUIRES MINIMUM NEMA/TYPE 4 COMPLIANT EQUIPMENT. THE CORD AND FITTINGS SELECTED MUST HAVE THE APPROPRIATE HAZARDOUS LOCATION RATING REQUIRED FOR THE INSTALLATION LOCATION.



DETAILS FOR MODELS 7603TH/7603T240H WITH HEATED BLANKET



1455 KLEPPE LANE
SPARKS, NEVADA 89431
(775) 359-4712 FAX (775) 359-7424
E-MAIL: HAWS@HAWS.CO.COM
WEBSITE: WWW.HAWS.CO.COM

ECN NO. 5235	REVISED PER CC	BY: CC	MODEL(S)	PART NUMBER
DRAWN: CC	DATE: 12/28/17	CHKD.: MJ	7603TH / 7603T240H	0510000807.D
APPROVED: MJ	DATE: 05/29/18	SCALE: N/A	SAFETY KEG EYEWASH	REVISION
		DRAWING TYPE: INSTALLATION		1
		SIZE: A		SHEET 1 OF 1